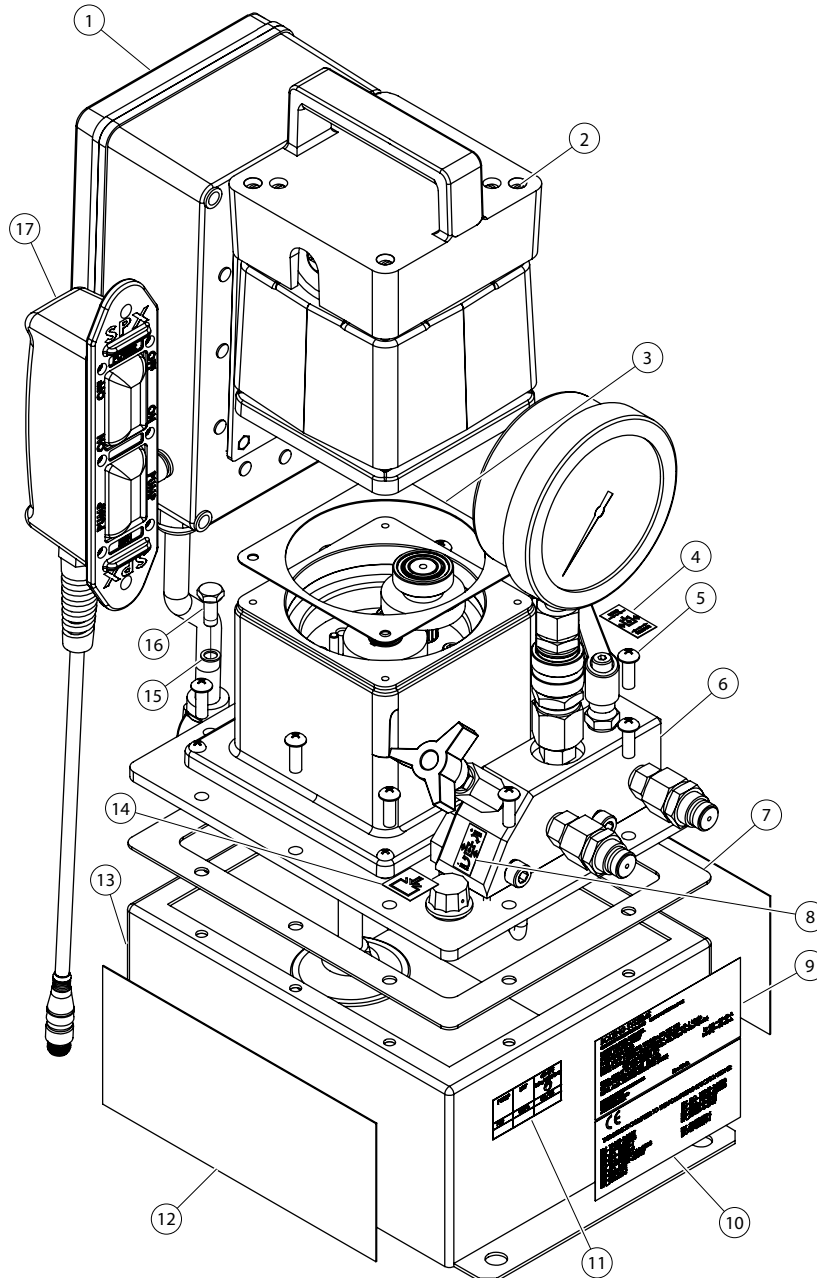


SPX
Center of Excellence
UK
Unit 4, Wansbeck Business Park
Rotary Parkway
Ashington
Northumberland NE63 8QW

Tel: +44 (0) 1670 850580
Fax: +44 (0) 1670 850655
info@spxboltingsystems.com

PE8LXX3L
PE8PXX3L

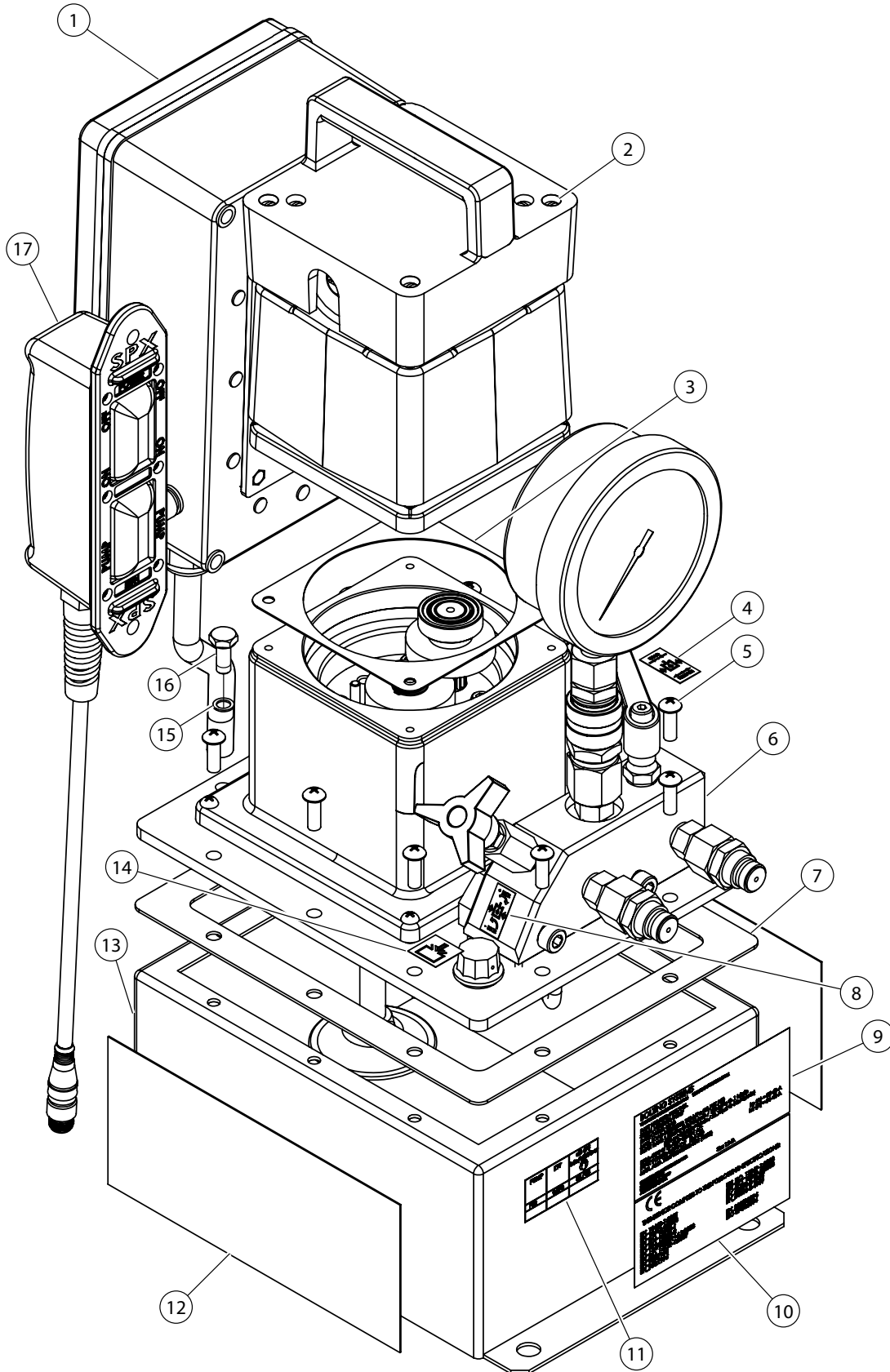
1500 Series Electric Hydraulic Pump Maximum Capacity: 1500 BAR (21,750 PSI)



Pump Assembly PE8LXX3L

Parts Lists

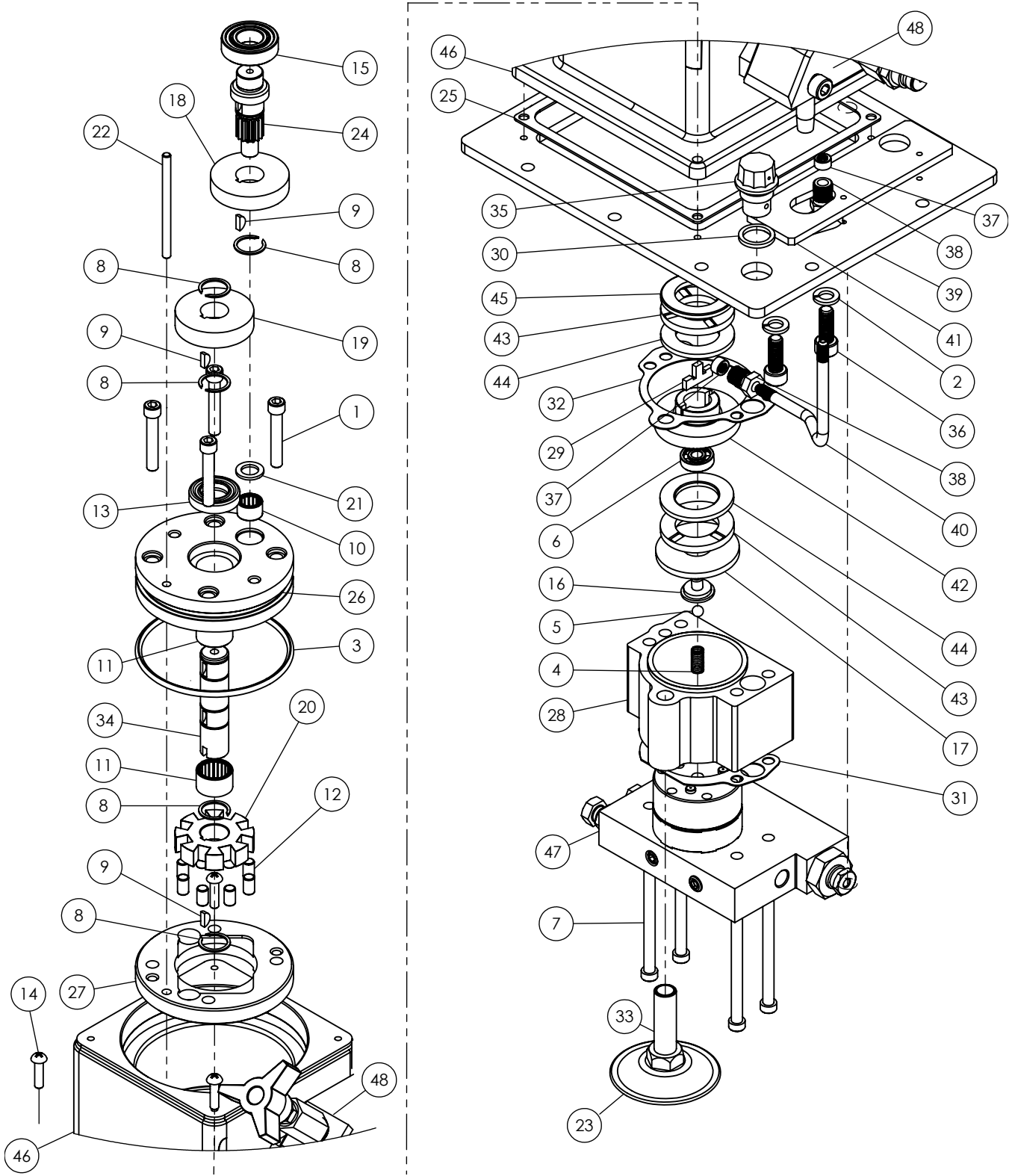
ITEM NO.	PART NO.	NO. REQ'D	PE8LXX3L FULL ASSEMBLY DESCRIPTION	NOTES
1	3000616	1	ASSEMBLY, MTR CONTROL (CE) 110/115V 50/60HZ	
2	12820	4	SCREW, RND 10-24 x 6	Torque to 3.3Nm (30 in-lbs)
3	32714	1	GASKET, PUMP BODY	
4	1000620	1	Decal, PLAS INFO CE US RECT 1.25IN	
5	10177	8	SCREW. RND 1/4-20 X 0.75	Torque to 3.3Nm (30 in-lbs)
6	3000613	1	COVER PLATE ASSEMBLY	
7	2001776	1	GASKET, RESERVOIR	
8	1000621	1	Decal, PLAS INFO CE US RECT 1.25IN	
9	2002393	1	DECAL, PLAS CERT CE US RECT 4.75IN	
10	2002391	1	DECAL, PLAS CERT CE US RECT 4.75IN	
11	2002392	1	DECAL, PLAS CERT CE US RECT 1.73IN	
12	2002375	2	DECAL, PLAS LOGO SXBS US RECT 8.75IN	
13	2002376	1	RESERVOIR, 1.00GAL HRZ CTR ST RECT BLK	
14	1000622	1	Decal, PLAS INFO CE US RECT 1.06IN	
15	12825	2	SCREW, HEX CAP 1/4-20 X 0.63	Torque to 3.3Nm (30 in-lbs)
16	10442	2	WASHER, PLAIN 0.25 x 0.37 x 0.03 COPR	Required for GROUND bond
17	3000618	1	ASSY, PENDANT TENSIONING SYSTEM	



Pump Assembly PE8PXX3L

Parts Lists

ITEM NO.	PART NO.	NO. REQ'D	PE8PXX3L FULL ASSEMBLY DESCRIPTION	NOTES
1	3000619	1	ASSEMBLY, MTR CONTROL (CE) 110/115V 50/60HZ	
2	12820	4	SCREW, RND 10-24 x 6	Torque to 3.3Nm (30 in-lbs)
3	32714	1	GASKET, PUMP BODY	
4	1000620	1	Decal, PLAS INFO CE US RECT 1.25IN	
5	10177	8	SCREW. RND 1/4-20 X 0.75	Torque to 3.3Nm (30 in-lbs)
6	3000613	1	COVER PLATE ASSEMBLY	
7	2001776	1	GASKET, RESERVOIR	
8	1000621	1	Decal, PLAS INFO CE US RECT 1.25IN	
9	2002394	1	DECAL, PLAS CERT CE US RECT 4.75IN	
10	2002391	1	DECAL, PLAS CERT CE US RECT 4.75IN	
11	2002392	1	DECAL, PLAS CERT CE US RECT 1.73IN	
12	2002375	2	DECAL, PLAS LOGO SXBS US RECT 8.75IN	
13	2002376	1	RESERVOIR, 1.00GAL HRZ CTR ST RECT BLK	
14	1000622	1	Decal, PLAS INFO CE US RECT 1.06IN	
15	12825	2	SCREW, HEX CAP 1/4-20 X 0.63	Torque to 3.3Nm (30 in-lbs)
16	10442	2	WASHER, PLAIN 0.25 x 0.37 x 0.03 COPR	Required for GROUND bond
17	3000618	1	ASSY, PENDANT TENSIONING SYSTEM	



Cover Plate Assembly 3000613

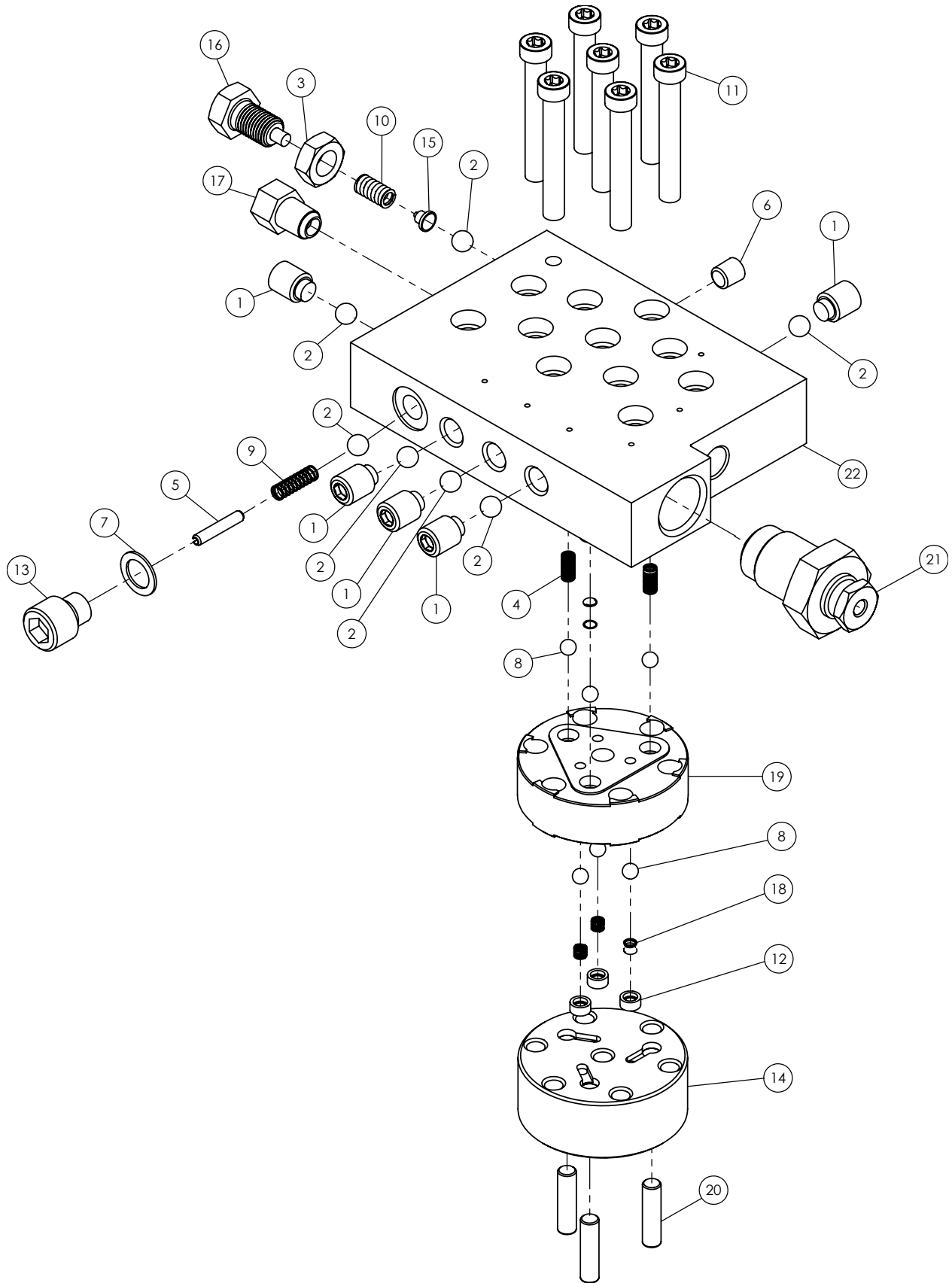
Parts Lists

ITEM NO.	PART NO.	NO. REQ'D	3000613 FULL ASSEMBLY DESCRIPTION	NOTES
1	10022	4	SCREW, SHC 1/4-20 X 1.50	
2	10246	2	WASHER, LOCK .59 X .32	
3	10297	1	O-RING (-236) 3.234ID X 0.139 NITRILE 70	
4	10361	1	SPRING COM OD.253IDX. XXXR9.4L1.025MW	
5	10375	1	BALL, 1/4" DIA STEEL	
6	11814	1	BEARING, BALL .250 X .750 X .219	
7	11956	4	SCREW, SHC 1/4-20 X 3.00	
8	12178	5	RING, RETAIN EXT 0.58 X .062	
9	12179	3	KEY, WOODRUFF	
10	12191	1	BEARING, NEEDLE - .375 x .562 x .375	
11	12192	2	BEARING, NEEDLE - .625 x .812 x .500	
12	12193	8	ROLLER	
13	12194	1	PACKING, OIL SEAL	
14	13026	4	SCREW, #10-24UNC 0.75 IN PNH 5 ST ZN	
15	13115	1	BEARING, BALL - 15 x 32 x 9mm	
16	23547	1	PLATE, BEARING TOP	
17	23548	1	PLATE, TOP	
18	24536	1	GEAR, HELICAL 51 TEETH	
19	24567	1	GEAR, SPUR - 47 TEETH	
20	24632	1	ROTOR	
21	24744	1	WASHER, THRUST 0.625 x0.406	
22	24758	1	PIN, LOCATING	
23	29682	1	STRAINER, FLAT - 100 x 90 MESH	
24	32069	1	SHAFT, PINION - 15 TOOTH	
25	32713	1	GASKET - PUMP BODY TO RESERVOIR	
26	33463	1	PLATE, PUMP END	
27	33464	1	RING, PUMP	
28	36923	1	SPACER, MACHINED	
29	200397	1	KEY - "T"	
30	200415	1	PACKING, O'RING (SQUARE SECTION)	
31	202690	1	GASKET, LOWER	
32	202691	1	GASKET - SPACER, UPPER	
33	202781	1	SUCTION TUBE	Use Loctite# 592 on both ends

Parts Lists

ITEM NO.	PART NO.	NO. REQ'D	3000613 FULL ASSEMBLY DESCRIPTION	NOTES
34	202875	1	SHAFT	
35	251689	1	CAP, FILLER BREATHER	
36	2002080	2	SCREW, M8X1.25 X 22MM SHC C12.9 ST	
37	2002365	2	FITTING, COLLAR 1/4"	
38	2002366	2	FITTING, GLAND 1/4"	Torque to 27Nm (20 ft-lb)
39	2002367	1	PLATE, RECT COVx0.25INx7.7x9.5 AL	
40	2002368	1	TUBE, 1/4" OD x .109" ID	
41	2002369	1	GASKET, MANIFOLD	
42	2002370	1	PLATE, ANGLE 4 DEGREE	
43	2002371	2	BEARING, CYLNRCL 42.0MMx25.0x5.0	
44	2002372	2	BEARING, WSHR 42.0MMx25.0x3.0	
45	2002373	1	BEARING, WSHR 42.0MMx26.0x3.0	
46	2002374	1	BODY, PUMP	
47	3000614	1	HIGH PRESSURE PUMP ASSY, 3-7/32 PISTONS	
48	3000615	1	MANIFOLD ASSEMBLY, 2 PORT w/ INT CHECKS	

Parts Lists



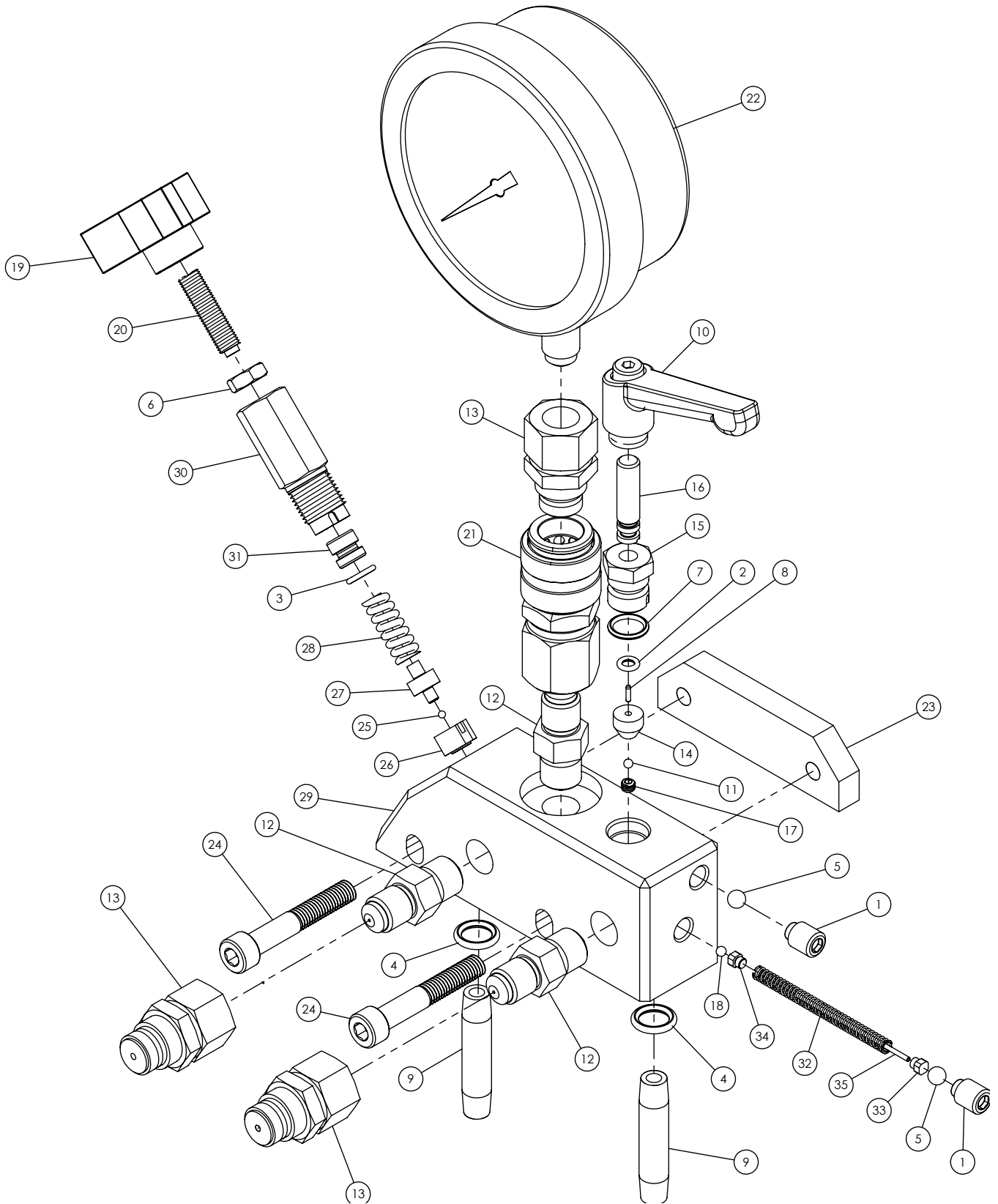
High Pressure Pump Assembly 3000614

Parts Lists

ITEM NO.	PART NO.	NO. REQ'D	3000614 FULL ASSEMBLY DESCRIPTION	NOTES
1	10150	5	SCREW, SET 3/8-16 X 0.50 HALFD OG	Torque to 34 Nm (300 in-lbs)
2	10375	7	BALL, 1/4" DIA STEEL	
3	10386	1	NUT, HEX JAM 3/8-24	
4	10445	3	SPRING COM OD.166IDX. XXXR.580L.751MW	
5	10895	1	PIN, ROLL .13 X .75	
6	11084	1	FITTING, PLUG - 1/16 NPTF x 5/16	
7	12042	1	WASHER, PLAIN 0.561 x0.377 x0.032 COPR	
8	12223	6	BALL, 3/16" DIA STEEL	
9	14431	1	SPRING COM OD.197IDX. XXXR2.18L.780MW	
10	15691	1	SPRING COM OD.246IDX. XXXR57L.645MW	
11	16747	7	SCREW, 1/4-28 X 1.75 LOW TORX	Lubricate threads and under bolt head 1. Install all Bolts Torque to 1 Nm (10 in-lbs) Max 2. Torque Center Bolt to 19 Nm (170 in-lbs) 3. Torque outside bolts sequentially in a star pattern to 9 Nm (80 in-lbs) 4. Torque outside bolts sequentially in a star pattern to 19 Nm (170 in-lbs)
12	24549	6	GUIDE, BALL	
13	29690	1	SCREW, SPECIAL CAP	Lubricate threads and under bolt head Torque to 56 Nm (500 in-lbs)
14	40629	1	BARREL, PUMP 3-7/32 PISTONS	
15	200796	1	ADAPTER, BALL & SPRING	
16	200797	1	SCREW, ADJUSTING 3/8-24 X 0.75	
17	306957	1	VALVE, AIR BLEED	Lubricate threads and under bolt head Torque to 56 Nm (500 in-lbs)
18	2001768	3	SPRING, COM .156in .013in R4.01 L.230 MUW	

Parts Lists

ITEM NO.	PART NO.	NO. REQ'D	3000614 FULL ASSEMBLY DESCRIPTION	NOTES
19	2001779	1	HEAD, VALVE - 3 PISTON	
20	2001800	3	PISTON, 7/32 DIA 4 DEG	
21	3000517	1	VALVE, RELIEF 23000 PSI	Torque to 34 Nm (25 ft-lb)
22	2002268	1	PLATE, RECT ENDx0.95INx3.3x4.6 ST	



2 Port Manifold Assembly 3000615

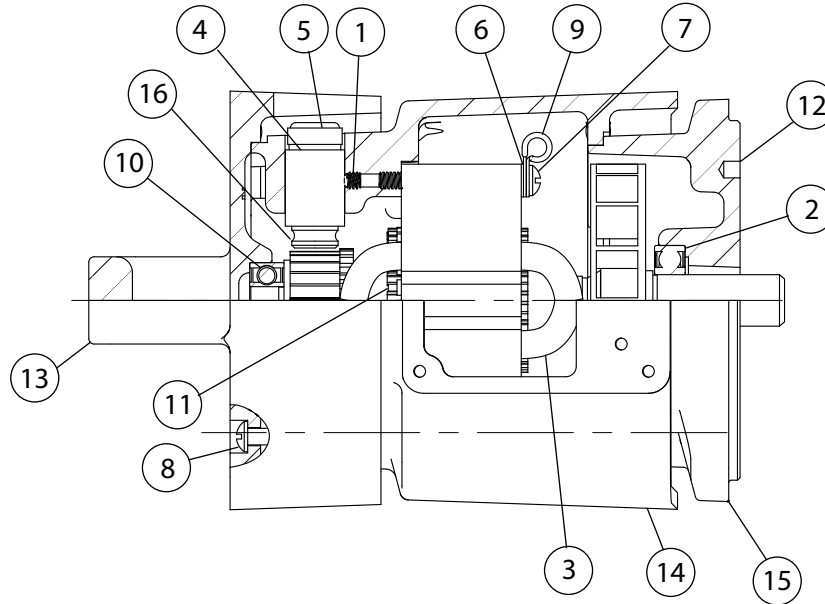
Parts Lists

ITEM NO.	PART NO.	NO. REQ'D	3000615 2 PORT MANIFOLD ASSEMBLY DESCRIPTION	NOTES
1	10150	2	SCREW, SET 3/8-16 X 0.50 HALFD OG	
2	10265	1	ORING, -008 0.176X0.07X0.316IN NBR70	
3	10267	1	ORING -011 0.301X0.070X0.441IN NBR70	
4	10270	2	ORING -111 0.424X0.103X0.63IN NBR70	
5	10375	2	BALL, 1/4" DIA STEEL	
6	10384	1	NUT, HEX JAM 5/16-24	
7	12098	1	ORING, -113 0.549X0.103X0.755IN NBR70	
8	215124	1	PIN, DOWEL 0.063IN X 0.25IN ST	
9	251751	2	FITTING, STR 1/8 NPT M X 1/8 NPT M	
10	252332	1	HANDLE, ADJUSTABLE	
11	2001007	1	BALL, CERAMIC(.125 DIA.) OUTLET CHECK	
12	2001771	3	FITTING, 1/4"HPM X G1/4 120 DEG	Torque to 40.7 Nm (30 ft-lbs)
13	2001772	3	COUPLER, MALE QUICK DISCONNECT 150 MPA	Torque to 40.7 Nm (30 ft-lbs)
14	2001781	1	SEAT, REPLACEABLE 60 DEG CONE	
15	2001782	1	GLAND, REPLACEABLE SEAT	Torque to 40.7 Nm (30 ft-lbs)
16	2001783	1	SCREW, ADJUSTING NEEDLE VALVE	
17	2001793	1	SCREW, HOL LCK #10-32 X 1/8	
18	2002267	1	BALL, STEEL 3.5mm	
19	2002275	1	HANDLE, KNOB 2.0INx1.0x0.312 P BLK	
20	2002276	1	SCREW, 5/16-24UNF 1.25 IN SET ST	
21	2002277	1	COUPLER, FEMALE QUICK DISCONNECT 150MPA	Torque to 40.7 Nm (30 ft-lbs)
22	2002278	1	GAUGE, 30000PSI 4"DIA G 1/4" MOUNT CALIB	
23	2002279	1	BLOCK, MANIFOLD MOUNTING	
24	2002295	2	SCREW, M8X1.25 50MM SHC 12.9 ST	
25	2002301	1	BALL, CERAMIC (2.5mm)	
26	2002302	1	SEAT, METAL SLOTTED	

Parts Lists

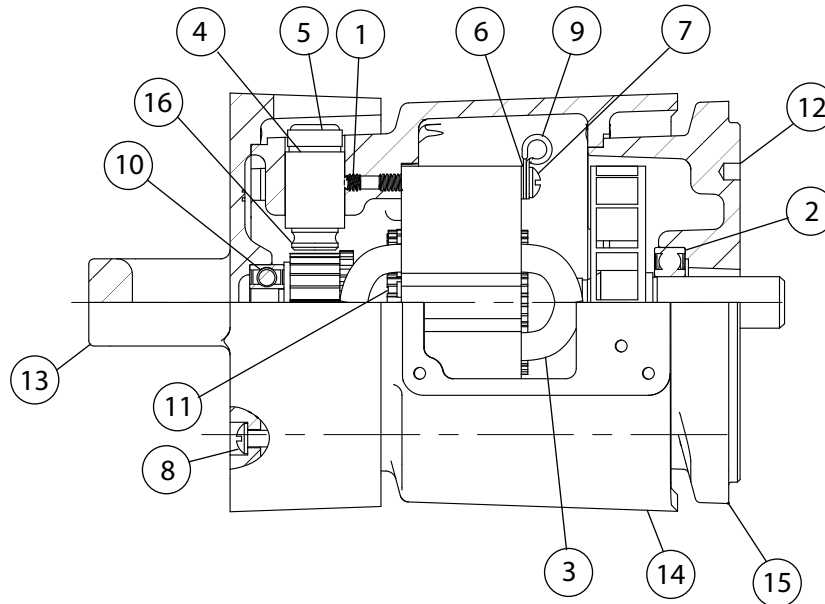
ITEM NO.	PART NO.	NO. REQ'D	3000615 2 PORT MANIFOLD ASSEMBLY DESCRIPTION	NOTES
27	2002303	1	GUIDE, SPRING LOWER MATED	
28	2002304	1	SPRINGS, COM 0.388INx0.198 .968 789MW	
29	2002305	1	MANIFOLD, 2 PORT-PSI REGULATOR w/CHECK	
30	2002306	1	BODY, ADJUSTABLE PSI REGULATOR 0.625 DIA	
31	2002358	1	GUIDE, SPRING	
32	2002361	1	SPRINGS, COM 0.200INx0.140 2.50 6.5MW	
33	2002362	1	GUIDE, INTERNAL CHECK SPRING LG	
34	2002363	1	GUIDE, INTERNAL CHECK SPRING SM	
35	2002364	1	PIN, DOWEL 0.063x2.17IN ST	

Parts Lists



Electric Motor 110/115V 3000617

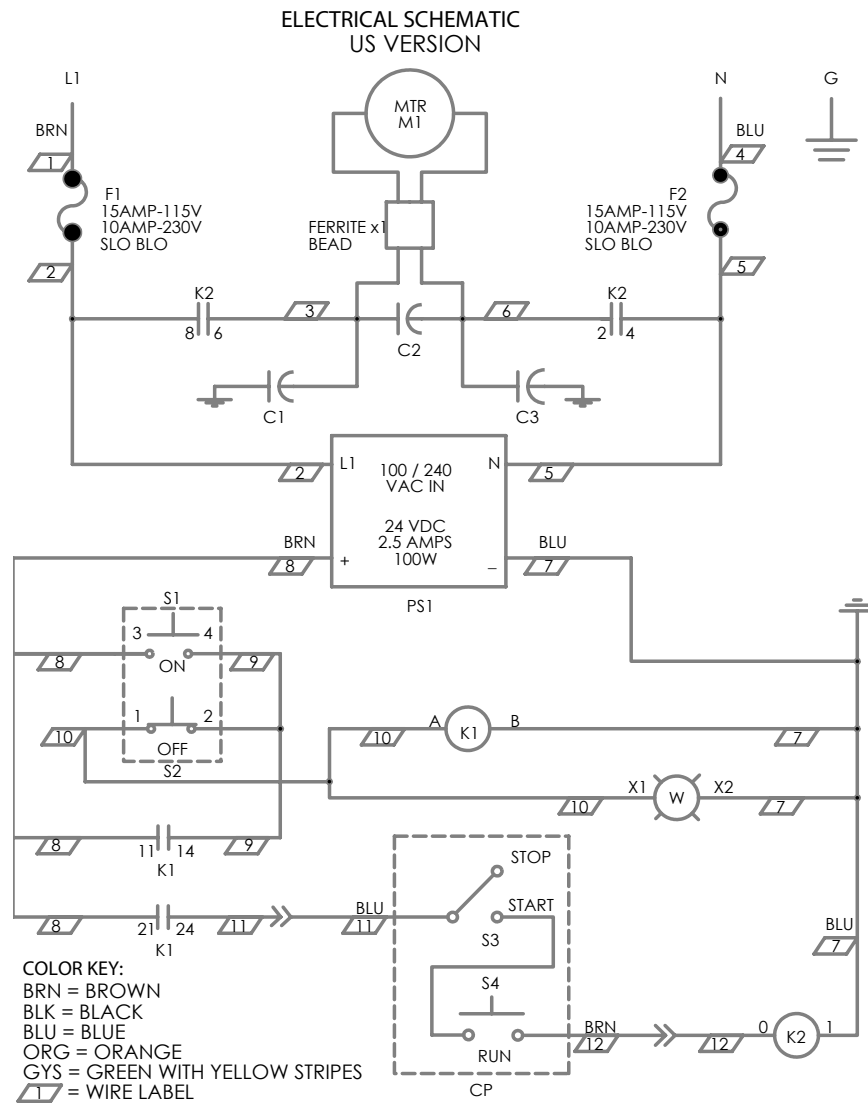
ITEM NO.	PART NO.	NO. REQ'D	3000617 ELECTRIC MOTOR ASSEMBLY DESCRIPTION	NOTES
1	12131	2	SCREW, SET #10-24 X 0.19 KNURLED CUP	
2	12133	1	BEARING, BALL-15 X 32 X 9mm	
3	12140	1	FIELD ASSY, 115V MOTOR	
4	12142	2	HOLDER, BRUSH	
5	12143	2	CAP, BRUSH - FOR 1/2 HP, 12,000 RPM UNIVERSAL MOTOR	
6	12356	2	WASHER, TOOTH INT 0.370 x0.200	
7	12515	2	SCREW, RND 10-24 X 1.75	
8	12802	2	SCREW, RND.HD.- 10-24UNC x 5-1/2	
9	13111	1	CLAMP, TUBE	
10	16768	1	BEARING, BALL - .315 x .866 x .3887	
11	16769	1	ARMATURE ASSY, 115V MOTOR	
12	17017	2	SCREW, SET #10-24 X 0.25 HALFDOG SLFLCK	Turn in flush or below the surface
13	2002377	1	MOTOR SHELL - MACHINED	
14	2002378	1	MOTOR SHELL - MACHINED	
15	2002379	1	MOTOR BASE - MACHINING	
16	12144	2	BRUSH ASSEMBLY	



Electric Motor 220/230V 3000620

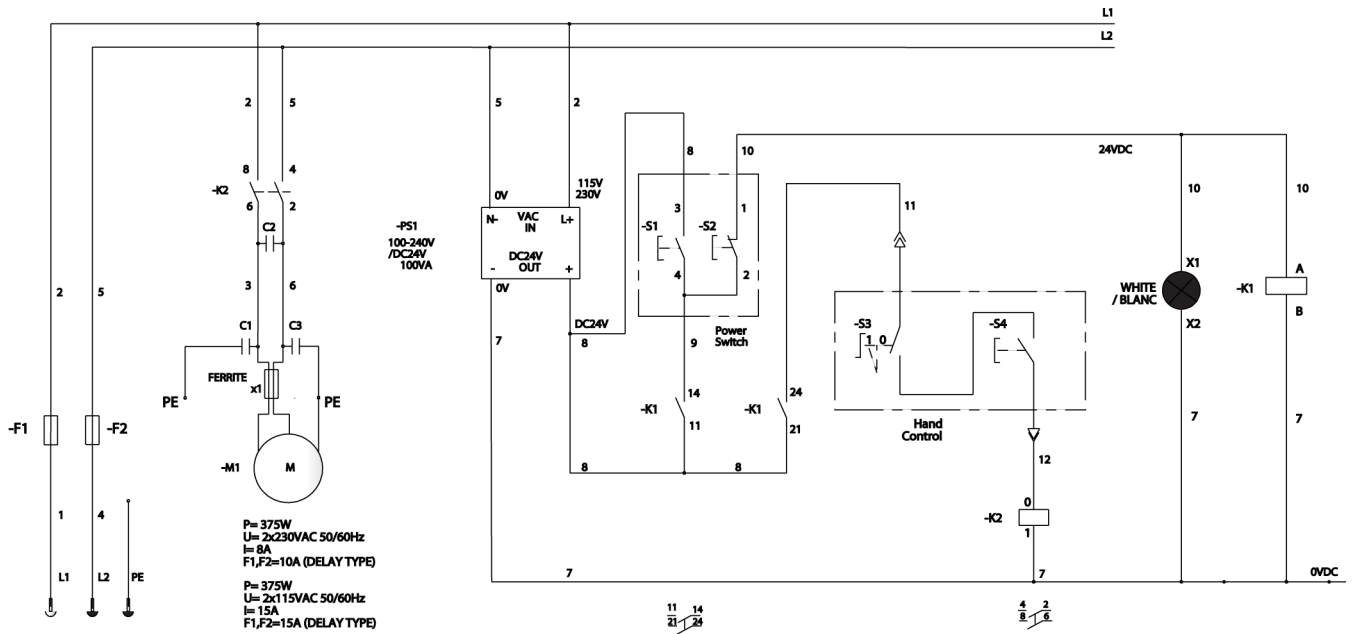
ITEM NO.	PART NO.	NO. REQ'D	3000620 ELECTRIC MOTOR ASSEMBLY DESCRIPTION	NOTES
1	12131	2	SCREW, SET #10-24 X 0.19 KNURLED CUP	
2	12133	1	BEARING, BALL-15 X 32 X 9mm	
3	12141	1	FIELD ASSY, 230V MOTOR	
4	12142	2	HOLDER, BRUSH	
5	12143	2	CAP, BRUSH - FOR 1/2 HP, 12,000 RPM UNIVERSAL MOTOR	
6	12356	2	WASHER, TOOTH INT 0.370 x0.200	
7	12515	2	SCREW, RND 10-24 X 1.75	
8	12802	2	SCREW, RND.HD.- 10-24UNC x 5-1/2	
9	13111	1	CLAMP, TUBE	
10	16768	1	BEARING, BALL - .315 x .866 x .3887	
11	16770	1	ARMATURE ASSY, 230V MOTOR	
12	17017	2	SCREW, SET #10-24 X 0.25 HALFDOG SLFLCK	Turn in flush or below the surface
13	2002377	1	MOTOR SHELL - MACHINED	
14	2002378	1	MOTOR SHELL - MACHINED	
15	2002379	1	MOTOR BASE - MACHINING	
16	12144	2	BRUSH ASSEMBLY	

Electrical Schematics



US Version

ELECTRICAL SCHEMATIC EU VERSION



EU Version

Hydraulic Schematic

HYDRAULIC SCHEMATIC

