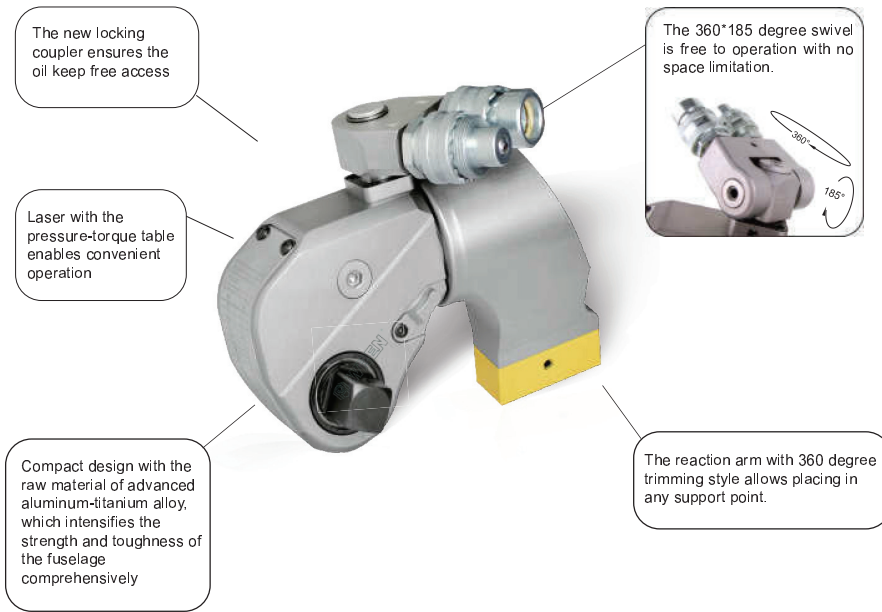


# IBT series Square drive hydraulic torque wrench



- 700bar Max working pressure and the accuracy keep within  $\pm 3\%$
- All together 10 models with the range from 112N.m to 72000N.m, which covers the most bolts size, and be the most comprehensive available in the market.
- The 360\*185 degree swivel is free to operation with no space limitation.
- The square drive operate with the high intense socket and suitable with large range of bolts
- 360 degree adjustable reaction arm allows placing in any support point.
- Compact design with the raw material of advanced aluminum-titanium alloy, high intense.
- The new locking coupler ensures the oil keep free access.

## IBT Series Selection Chart

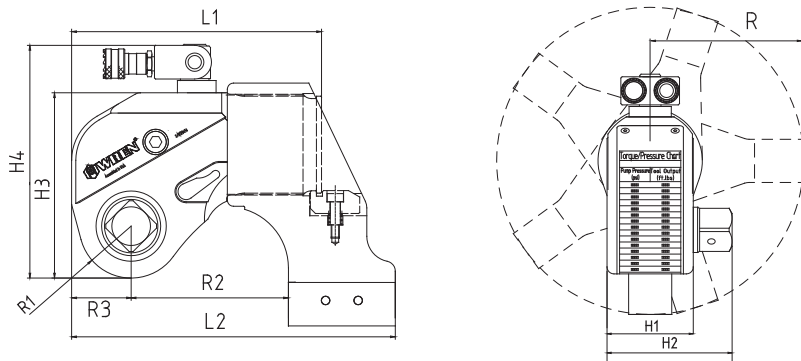
TYPE	07IBT	1IBT	3IBT	5IBT	8IBT	10IBT	20IBT	25IBT	35IBT	50IBT
Torque (N.m)	112~1120	183~1837	451~4512	752~7528	1078~10780	1551~15516	2666~26664	3472~34725	4866~48666	7200~72000
Bolt size (M)	14~30	16~36	22~48	27~56	30~64	36~72	42~90	48~100	64~120	72~125
Weight(Kg)	1.8	2.5	5	8	11	15	26.5	35	50	87
Square Drive	3/4"	3/4"	1"	1-1/2"	1-1/2"	1-1/2"	2-1/2"	2-1/2"	2-1/2"	2-1/2"

## Industrial Applications:



# IBT series Square drive hydraulic torque wrench

IBT series is the professional hydraulic torque wrench which WREN vigorously extends in international market. Its raw material is aluminum-titanium alloy which makes the wrench light and high intense. IBT series has 10 models with the range from 112N.m to 72000N.m; covers the most of bolts size, and be the most comprehensive available in the market. WREN provide after-sales service all over the world, and already got the approved by TUV certificate.



IBT Dimension Chart

TYPE	L1 (mm)	L2 (mm)	H1 (mm)	H2 (mm)	H3 (mm)	H4 (mm)	R (mm)	R1 (mm)	R2 (mm)	R3 (mm)
07IBT	110.8	139.3	42	65.8	76.2	108.1	75	20.5	68.3	25
1IBT	144.5	173.5	50	72	96	131	91.5	26	85	29
3IBT	178	229	68	95	127	176.5	123.5	34	114	40
5IBT	210.5	270.5	80	123	149	199	140	39	137	46.5
8IBT	222	293	90	134	167	217	165	47	153	47
10IBT	245.5	317.5	100	142	182	232	178	51	154	58.5
20IBT	307.5	383.5	120	183	220	270	213	59	186	71
25IBT	323	401	137	200	247	297	228	66	199	66
35IBT	372.5	496.5	153	216	282	332	243.5	77	241	79
50IBT	400	516	160	223	291	341	258	81	259	97.5

## Accessory:

For Special Reaction Arm, consult to WREN !

