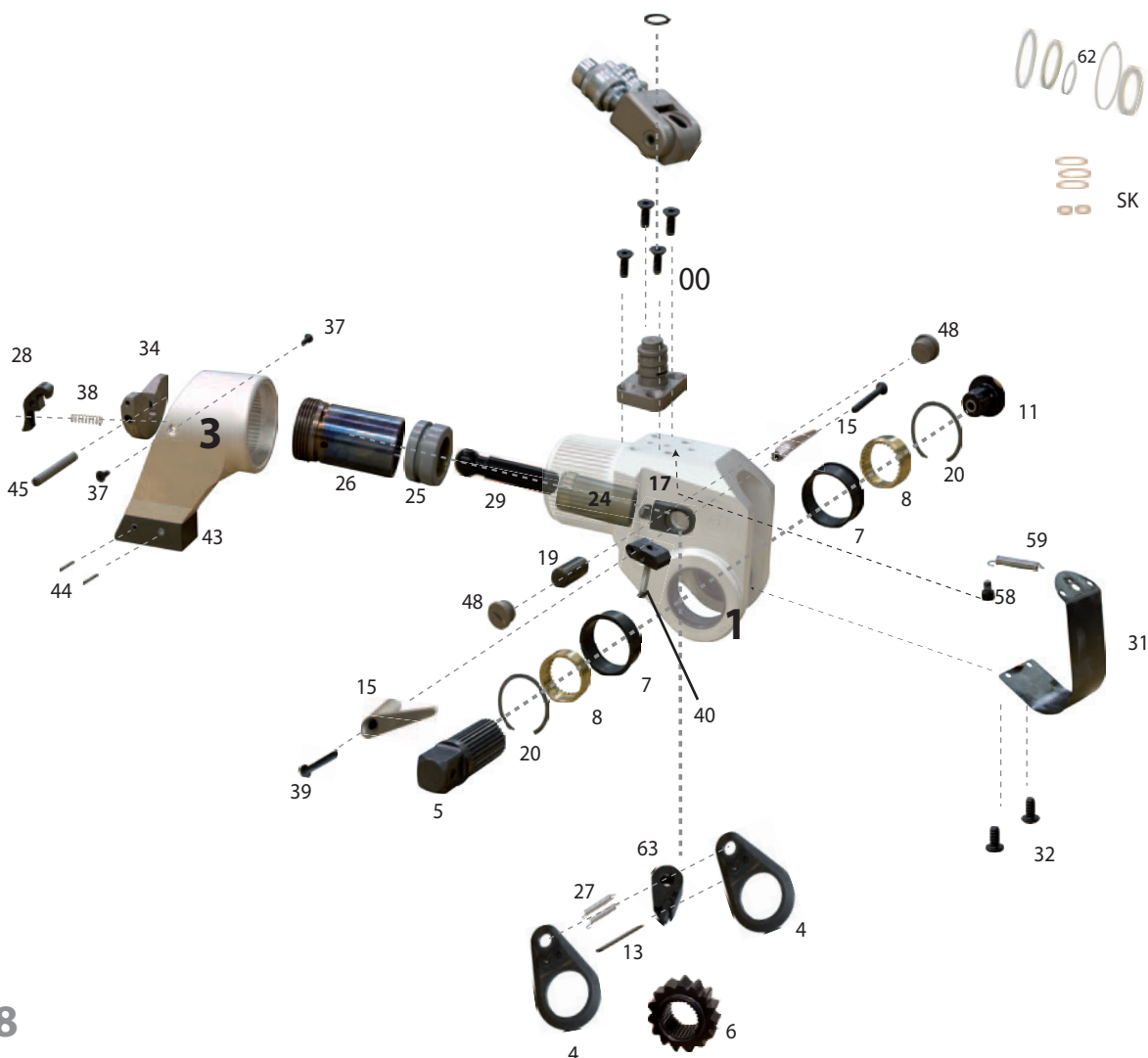


SECTION VI

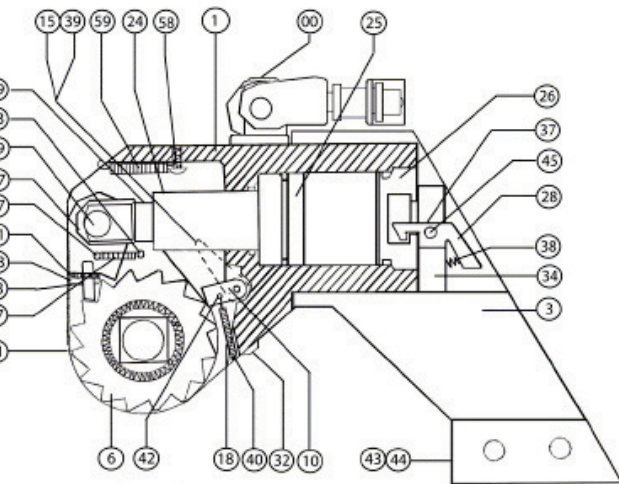
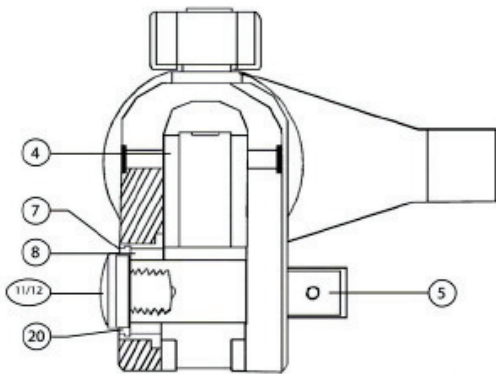
DISASSEMBLY

RT SQUARE DRIVE TOOL

1. Make sure the tool is fully retracted.
2. Remove the reaction arm.
3. Remove shroud by removing the two button head cap screws at the base of the housing. Unhook the spring.
4. Remove square drive (#5) by pressing the drive retainer while unscrew it or pressing center button of drive retainer (#11) while pulling square drive out of tool.
5. Remove the 2 square drive sleeves (#8). Remove retaining rings on outside of edge of drive sleeve and slide drive sleeves out.
6. Carefully remove Access Plugs (#48) to uncover housing access holes.
7. Line up rod pin (#19) with access holes in housing and punch rod pin through housing.
8. Remove ratchet(#6), 2 drive plates(#4), and drive pawl assembly (#63)
9. Remove screw from each lever (#15), and pull levers out of housing.
10. Remove the reaction pawl (#10) along with the reaction pawl spring (#18).
11. Using our special spanner tool, unscrew the cylinder end cap.(#26)
12. Remove the piston rod assembly which consists of parts (17, 24, 25, 29) by tapping connector rod (#17) with a punch and a hammer through the cylinder.



SECTION VI DISASSEMBLY



ITEM	DESCRIPTION	PART NUMBER
1	Housing	RT-#-1
3	Reaction Arm Assembly	RT-#-3
4	Drive Plate	RT-#-4
5	Square Drive	RT-#-5
6	Ratchet Spine	RT-#-6
7	Drive Bushing (2)	RT-#-7
8	Drive Sleeve Spline (2)	RT-#-8
10	Reaction Pawl	RT-#-10
11	Drive Retainer	RT-#-11
13	Drive Plate Roll Pin	RT-#-13
15	Disengagement Lever w/ screws	RT-#-15
17	Piston Rod End	RT-#-17
18	Reaction Pawl Spring + Roll Pin	RT-#-18
19	Rod End Pin	RT-#-19
20	Drive Sleeve Retaining Ring	RT-#-20
24	Piston Sleeve with Seal	RT-#-24
25	Piston with Seal	RT-#-25
26	Cylinder End Cap	RT-#-26
27	Drive Pawl Spring (2)	RT-#-27
28	Reaction Arm Lever	RT-#-28
29	Piston Rod	RT-#-29
31	Shroud	RT-#-31
32	Shroud Screws (2)	RT-#-32
33	Secondary Drive Pawl Spring	RT-#-33
34	Reaction Arm Plate	RT-#-34
37	Reaction Arm Plate Screws (2)	RT-#-37
38	Reaction Arm Lever Spring	RT-#-38
39	Disengagement Lever Screw	RT-#-39
40	Primary Drive Pawl Roll Pin	RT-#-40
41	Secondary Drive Pawl Pin	RT-#-41
42	Reaction Pawl Roll Pin	RT-#-42
43	Reaction Arm Boot with Pins	RT-#-43
44	Reaction Arm Boot Pin (2)	RT-#-44
45	Reaction Arm Lever Pin	RT-#-45
48	Access Plug (2)	RT-#-48
58	Shroud Spring Screw	RT-#-58
59	Shroud Spring	RT-#-59
61	Piston Rod Assembly	RT-#-61
62	Housing Seal Kit	RT-#-62
63	Drive Pawl Assembly	RT-#-63
00	Swivel Assembly	RT-#-00
SK	Swivel Seal Kit	RT-#-SK