


Assembly instructions	
27 Swivel post screw	T1: Tighten at 6Nm - 4 ft.lb T3 - T5: Tighten at 14Nm - 10 ft.lb
6 Rod end connector	T1: Tighten at 10 Nm - 7.4 ft.lb T3 : Tighten at 25 Nm - 18.4 ft.lb T5 : Tighten at 34 Nm - 25 ft.lb
8 End cap	T1 : Tighten at 25 Nm - 18.4 ft.lb T3 : Tighten at 50 Nm - 37 ft.lb T5 : Tighten at 70 Nm - 51.5 ft.lb
31 End cap screw (x2)	T1. T3. T5 : Tighten at 4 Nm - 3 ft.lb
1, 2, 9, 10, 14, 19, 20, 24, 59	Use Molykote GN or GN Plus
All o-rings, seals, 58	Use Lithium Grease Thermo Gel TG40750
56, 57	T1 : Use Teflon tape or paste Tighten at 20-25 Nm (15-18 lb.ft) T3-T5 : Use Teflon tape or paste Tighten at 35 Nm (25.8 lb.ft)
6, 12, 25, 26, 27, 28, 29, 31	Use Loctite 242

	6159921230	Operator's Manual
	615872855	Warning Label
	6159921190	Safety Instructions

Assembly Tooling		
Groove o-ring assembly jigs		
T1 3RD GROOVE	TOOL-T1-70-3	6158125125
T3-T5 3RD GROOVE	TOOL-T3-70-3	6158125135
T3-T5 2ND GROOVE	TOOL-T3-71-2	6158125145
End cap wrench		
T1	T3-26K-A	6156701305
T3	T5-26K-A	6156701315
T5	T5-26K-A	6156701325
Drive pin alignment tool		
T1	T1-19ap	6153111415
T3	T3-19ap	6153111425
T5	T5-19ap	6153111435
End cap punch		
T1, T3, T5	T3-26-ST	6158128110
Bushing Press Tools		
T1	T1-07-PT	6158129765
T3	T3-07-PT	6158129775
T5	T5-07-PT	6158129785

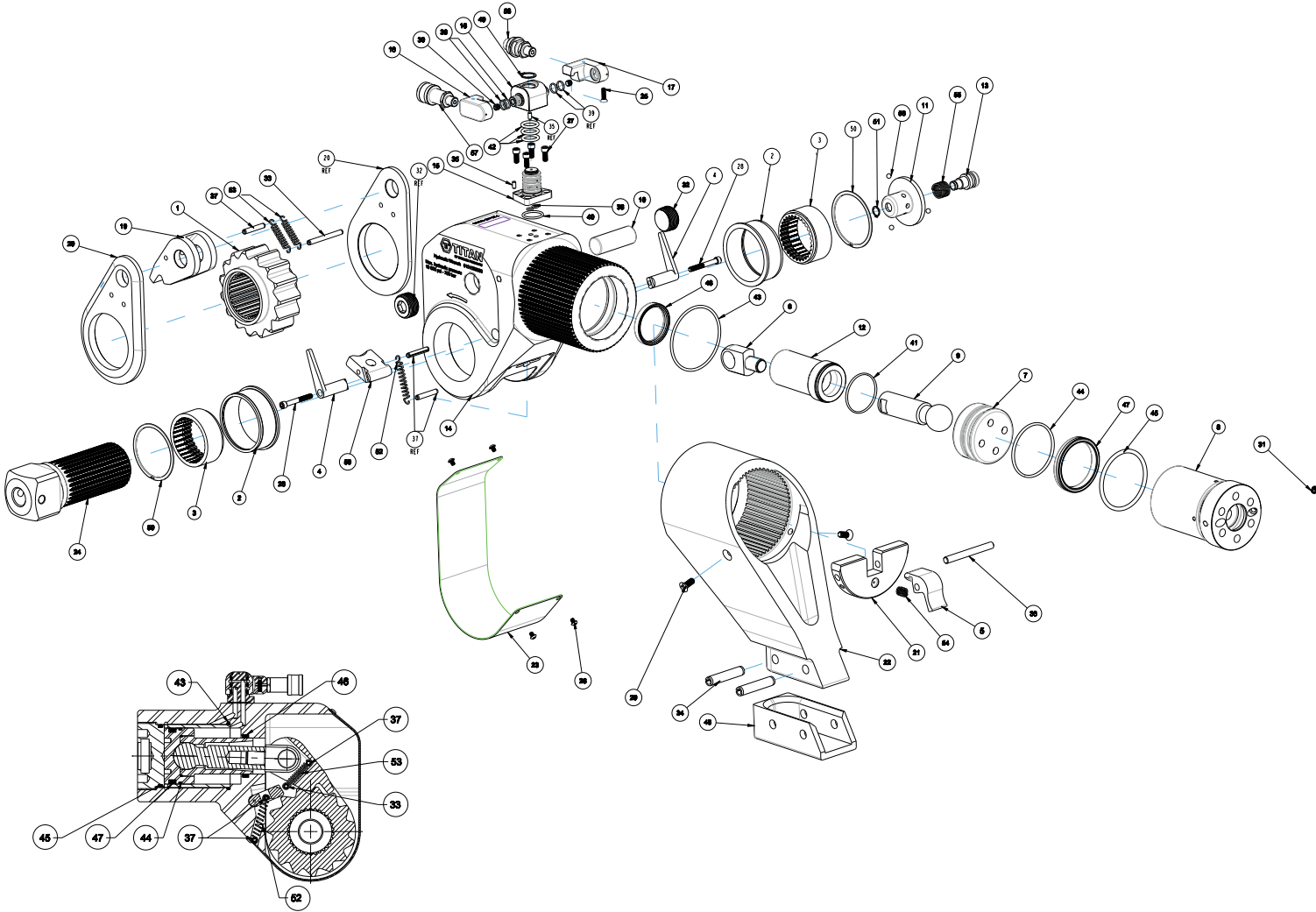
ITEM	DESCRIPTION	T1	T1 PARTS NO.	QTY	T3	T3 PARTS NO.	QTY	T5	T5 PARTS NO.	QTY
1	Ratchet	T1-06	6152310685	1	T3-06	6152310715	1	T5-06	6152310745	1
7	Piston	T1-25	6153110675	1	T3-25	6153110885	1	T5-25	6153110895	1
8	End Cap Assembly (Incl. Part 31)	T1-26A	6153110805	1	T3-26A	6153110835	1	T5-26A	6153110935	1
10	Drive Pin	T1-19	6153110825	1	T3-19	6153110855	1	T5-19	6153111015	1
20	Drive Plate	T1-04	6155655485	2	T3-04	6155655645	2	T5-04	6155655655	2
24	Square Drive	T1-05	6155752635	1	T3-05	6155753655	1	T5-05	6155753665	1
Not shown	Case		6159957965			6159957975			6159957985	
A	Housing Assembly Kit	T1-01A	6155655275		T3-01A	6155655555		T5-01A	6155655565	
14	Housing Assembly	T1-01		1	T3-01		1	T5-01		1
A1	Drive Bushing Kit	T1-08A	6153989595		T3-08A	6153989605		T5-08A	6153989615	
2	Drive Bushing	T1-07		2	T3-07		2	T5-07		2
3	Drive Sleeve (Set of 2)	T1-08K	6152610905	1	T3-08K	6152610995	1	T5-08K	6152611005	1
50	Drive Bushing Snap Ring (Set of 2)	T1-30K	6156870985	1	T3-30K	6156871015	1	T5-30K	6156871025	1




TITAN
BY CHICAGO PNEUMATIC

T1 / T3 / T5
HYDRAULIC WRENCH

ITEM	DESCRIPTION	T1			T3			T5		
		T1	T1 PARTS NO.	QTY	T3	T3 PARTS NO.	QTY	T5	T5 PARTS NO.	QTY
B	Piston Kit	T1-25A	6153989655		T3-25A	6153989665		T5-25A	6153989675	
6	Rod End Connector	T1-17	6153110745	1	T3-17	6153110755	1	T5-17	6153110765	1
7	Piston	T1-25	6153110675	1	T3-25	6153110885	1	T5-25	6153110895	1
9	Piston Rod	T1-29		1	T3-29		1	T5-29		1
12	Piston Sleeve	T1-24	6153110725	1	T3-24	6153110875	1	T5-24	6153111095	1
41	Piston/Piston Sleeve O-Ring	T1-25-018		1	T3-25-022		1	T5-25-025		1
44	Piston/End Cap O-Ring	T3/25-70-120		1	T3-25-219		1	T5-25-223		1
C	Housing / Piston Seal Kit	T1-62A	6153989835		T3-62A	6153989845		T5-62A	6153989855	
41	Piston/Piston Sleeve O-Ring	T1-25-018		1	T3-25-022		1	T5-25-025		1
43	Housing/End Cap O-Ring	T1-01-027		1	T3-01-031		1	T5-01-034		1
44	Piston/End Cap O-Ring	T3/25-70-120		1	T3-25-219		1	T5-25-223		1
45	End Cap/Housing O-Ring	T1-26-122		1	T3-26-129		1	T5-26-135		1
46	Lip Seal	T1-01-N		1	T3-01-N		1	T5-01-N		1
47	Piston Lip Seal	NC			NC			NC		
D	Drive Pawl Kit	T1-63A	6153989535		T3-63A	6153989545		T5-63A	6153989555	
19	Drive Pawl	T1-63		1	T3-63		1	T5-63		1
37	Drive/Reaction Pawl Roll Pin	T1-40	6156351005	1	T3-40		1	T5-40		1
53	Drive Pawl Spring	T1-27		2	T3-27		2	T5-27		2
E	Drive/Reaction Pawl Spring Kit	T1-27K	6156901215		T3-27K	6156901295		T5-27K	6156901315	
52	Reaction Pawl Spring	T1-18		1	T3-18		1	T5-18		1
53	Drive Pawl Spring	T1-27		2	T3-27		2	T5-27		2
F	Reaction Pawl Kit	T1-10A	6153989715		T3-10A	6153989725		T5-10A	6153989735	
37	Drive/Reaction Pawl Roll Pin	T1-40	6156351005	2	T3-40		2	T5-40		2
52	Reaction Pawl Spring	T1-18		1	T3-18		1	T5-18		1
59	Reaction Pawl	T1-10		1	T3-10		1	T5-10		1
F1	Lever Kit	T1-15K	6153100895		T3-15K	6153100915		T5-15K	6153100925	
4	Reaction Pawl Lever	T1-15		1	T3-15		1	T5-15		1
28	Lever Screw	T1-39		1	T3-39		1	T5-39		1
G	Drive Retainer Kit	T1-11A	6153989895		T3-11A	6153989905		T5-11A	6153989915	
11	Drive Retainer Body	T1-11		1	T3-11		1	T5-11		1
13	Drive Retainer Push-Lock	T1-12		1	T3/8-12		1	T3/8-12		1
G1	Drive Retainer Service Kit	T1-12K	6153991595		T3/8-12K	6153991605		T3/8-12K	6153991605	
51	Drive Retainer Snap Ring	T1-12D		1	T3/8-12D		1	T3/8-12D		1
55	Drive Retainer Spring	T1-12C		1	T3/8-12C		1	T3/8-12C		1
58	Drive Retainer Ball Bearing	T1-12B		3	T3/8-12B		3	T3/8-12B		3
H	Shroud Kit	T1-31A	6153989775		T3-31A	6153989785		T5-31A	6153989795	
23	Shroud	T1-31		1	T3-31		1	T5-31		1
H1	Shroud Screw Kit	T1-32K	6153993075		T3/25-32K	6153993085		T3/25-32K	6153993085	
26	Shroud Screw	T1-32		12	T3/25-32		12	T3/25-32		12
I	Reaction Arm Assembly	T1-03A	6153989955		T3-03A	6153989965		T5-03A	6153989975	
22	Reaction Arm	T1-03		1	T3-03		1	T5-03		1
I1	Reaction Arm Lever Kit	T1-36A	6153990025		T3-36A	6153990035		T5-36A	6153990045	
5	Reaction Arm Lever	T1/3-28	6153100905	1	T1/3-28	6153100905	1	T5/10-28	6153100965	1
21	Reaction Arm Plate	T1-36		1	T3-36		1	T5-36		1
I2	Reaction Arm Lever Service Kit	T1-37K	6153991875		T3-37K	6153991895		T5-37K	6153991905	
29	Reaction Arm Screw	T1-37		2	T3-37		2	T5/25-37		2
36	Reaction Arm Lever Pin	T1-45		1	T3-45		1	T5-45		1
54	Reaction Arm Lever Spring	T1/3-38		1	T1/3-38		1	T5/10-38		1
I3	Reaction Arm Boot Kit	T1-43A	6153990085		T3-43A	6153990095		T5-43A	6153990115	
34	Reaction Arm Boot Pin	T1-44		2	T3-44		2	T5-44		2
48	Reaction Arm Boot	T1-43		1	T3-43		1	T5-43		1
J	Swivel Kit	T1/5-75A	6153990155		T3/25-75A	6153990165		T3/25-75A	6153990165	
J1	Bottom Swivel Kit	T1-70A	6153990195		T3/25-70A	6153990205		T3/25-70A	6153990205	
15	Swivel Post	T1-70		1	T3/25-70		1	T3/25-70		1
27	Swivel Post Screw	T1-75		4	T3/25-75		4	T3/25-75		4
35	Swivel Dowel Pin	T1-81		1	T3/25-81		1	T3/25-81		1
38	Swivel Post/Housing Small O-Ring	T1-70-006		2	T3/25-70-010		2	T3/25-70-010		2
40	Swivel Post/Housing Large O-Ring	NC			T3/25-70-120		1	T3/25-70-120		1
42	Swivel Housing/Post O-Ring	T1-70-014		3	T3/25-70-210		3	T3/25-70-210		3
J2	Top Swivel Kit	T1-71A	6153990175		T3/25-71A	6153990185		T3/25-71A	6153990185	
16	Swivel Body	T1-71		1	T3/25-71		1	T3/25-71		1
17	Actuate Manifold	T1-72	6155655420	1	T3/25-72	6155655360	1	T3/25-72	6155655360	1
18	Retract Manifold	T1-73	6155655430	1	T3/25-73	6155655370	1	T3/25-73	6155655370	1
25	Swivel Manifold Screw	T1/50-76		1	T1/50-76		1	T1/50-76		1
30	Hex Plug	T1/25-80TC		2	T1/25-80TC		2	T1/25-80TC		2
35	Swivel Dowel Pin	T1-81		1	T3/25-81		1	T3/25-81		1
39	Swivel Body O-Ring	T1/25-71-013		4	T1/25-71-013		4	T1/25-71-013		4
49	Swivel Snap Ring	T1-74	6156870945	1	T3/25-74	6156870955	1	T3/25-74	6156870955	1
56	Actuate Manifold Qd	090155-1	6157040365	1	090155N	6157040355	1	090155N	6157040355	1
57	Retract Manifold Qd	090156-1	6157040325	1	090156	6157040375	1	090156	6157040375	1
K	Swivel Seal Kit	T1-00	6153990215		T3/25-00	6153990225		T3/25-00	6153990225	
38	Swivel Post/Housing Small O-Ring	T1-70-006		2	T3/25-70-010		2	T3/25-70-010		2
39	Swivel Body O-Ring	T1/25-71-013		4	T1/25-71-013		4	T1/25-71-013		4
40	Swivel Post/Housing Large O-Ring	NC			T3/25-70-120		1	T3/25-70-120		1
42	Swivel Housing/Post O-Ring	T1-70-014		3	T3/25-70-210		3	T3/25-70-210		3
49	Swivel Snap Ring	T1-74	6156870945	1	T3/25-74	6156870955	1	T3/25-74	6156870955	1
L	Small Part Kit	T1-13A	6153990235		T3-13A	6153990245		T5-13A	6153990255	
25	Swivel Manifold Screw	T1/50-76		1	T1/50-76		1	T1/50-76		1
30	Hex Plug	T1/25-80TC		2	T1/25-80TC		2	T1/25-80TC		2
32	Housing Cap	T1-85		2	T3/5-85		2	T3/5-85		2
33	Drive Plates Roll Pin	T1-13		1	T3-13		1	T5-13		1
35	Swivel Dowel Pin	T1-81		2	T3/25-81		2	T3/25-81		2
49	Swivel Snap Ring	T1-74	6156870945	1	T3/25-74	6156870955	1	T3/25-74	6156870955	1
51	Drive Retainer Snap Ring	T1-12D		1	T3/8-12D		1	T3/8-12D		1
58	Drive Retainer Ball Bearing	T1-12B		3	T3/8-12B		3	T3/8-12B		3
M	MK Kit	MK-T1	6153992445		MK-T3	6153992455		MK-T5	6153992465	
C	Housing / Piston Seal Kit	T1-62A	6153989835	1	T3-62A	6153989845	1	T5-62A	6153989855	1
E	Drive/Reaction Pawl Spring Kit	T1-27K	6156901215	1	T3-27K	6156901295	1	T5-27K	6156901315	1
G	Drive Retainer Kit	T1-11A	6153989895	1	T3-11A	6153989905	1	T5-11A	6153989915	1
I2	Reaction Arm Lever Service Kit	T1-37K	6153991875	1	T3-37K	6153991895	1	T5-37K	6153991905	1
K	Swivel Seal Kit	T1-00	6153990215	1	T3/25-00	6153990225	1	T3/25-00	6153990225	1
5	Reaction Arm Lever	T1/3-28	6153100905	1	T1/3-28	6153100905	1	T5/10-28	6153100965	1
26	Shroud Screw	T1-32		4	T3/25-32		4	T3/25-32		4
33	Drive Plates Roll Pin	T1-13		1	T3-13		1	T5-13		1
37	Drive/Reaction Pawl Roll Pin	T1-40		1	T3-40		1	T5-40		1
56	Actuate Manifold Qd	090155-1	6157040365	1	090155N	6157040355	1	090155N	6157040355	1
57	Retract Manifold Qd	090156-1	6157040325	1	090156	6157040375	1	090156	6157040375	1



Assembly instructions	
27 Swivel post screw	T8 to T25: Tighten at 14Nm - 10 ft.lb T8: Tighten at 50 Nm - 37 ft.lb T10: Tighten at 75 Nm - 55 ft.lb T25: Tighten at 100 Nm - 74 ft.lb
8 End cap	T8: Tighten at 80 Nm - 59 ft.lb T10: Tighten at 85 Nm - 63 ft.lb T25: Tighten at 120 Nm - 88 ft.lb
31 End cap screw (x2)	T8. T10. T25 : Tighten at 8 Nm - 5.9 ft.lb
1, 2, 9, 10, 14, 19, 20, 24, 59	Use Molykote GN or GN Plus
All o-rings, seals, 58	Use Lithium Grease Thermo Gel TG40750
56, 57	T8-T25 : Use Teflon tape or paste Tighten at 35 Nm (25,8 lb.ft)
6, 12, 25, 26, 27, 28, 29, 31	Use Loctite 242

	6159921230	Operator's Manual
	CA155779	Warning Label
	6159921190	Safety Instructions

Assembly Tooling		
Groove o-ring assembly jigs		
T8-T25 3RD GROOVE	TOOL-T3-70-3	6158125135
T8-T25 2ND GROOVE	TOOL-T3-71-2	6158125145
End cap wrench		
T8/10	T8/10-26K-A	6156701295
T25	T25-26K-A	6156701335
Drive Pin Alignment Tool		
T8	T8-19ap	6153111445
T10	T10-19ap	6153111455
T25	T25-19ap	6153111465
End Cap Punch		
T8,T10	T8/10-26-ST	6158128120
T25	T25-26-ST	6158128160
Bushing Press Tools		
T8	T8-07-PT	6158129795
T10	T10-07-PT	6158129805
T25	T25-07-PT	6158129815

ITEM	DESCRIPTION	T8	T8 PART NO	QTY	T10	T10 PART NO	QTY	T25	T25 PART NO	QTY
1	Ratchet	T8-06	6155750755	1	T10-06	6155750765	1	T25-06	6155750775	1
7	Piston	T8-25	6153110905	1	T10-25	6153110915	1	T25-25	6153110925	1
8	End Cap Assembly (Incl. Setting Screw X2)	T8-26A	6153110945	1	T10-26A	6153110955	1	T25-26A	6153110965	1
10	Drive Pin	T8-19	6153111025	1	T10-19	6153111035	1	T25-19	6153111045	1
20	Drive Plate	T8-04	6155655665	2	T10-04	6155655675	2	T25-04	6155655685	2
24	Square Drive	T8-05	6155752675	1	T10-05	6155752685	1	T25-05	6155753695	1
Not shown	Case		6159957995			6159958005			6159958015	
A	Housing Assembly Kit	T8-01A	6155655575		T10-01A	6155655585		T25-01A	6155655285	
14	Housing	T8-01		1	T10-01		1	T25-01		1
A1	Drive Bushing Kit	T8-08A	6153989625		T10-08A	6153989635		T25-08A	6153989645	
2	Drive Bushing	T8-07		2	T10-07		2	T25-07		2
3	Drive Sleeve (Set of 2)	T8-08K	6152610925	1	T10-08K	6152610975	1	T25-08K	6152610985	1
50	Drive Bushing Snap Ring (Set of 2)	T8-30K	6156871035	1	T10-30K	6156870995	1	T25-30K	6156871005	1



TITAN[®]
BY CHICAGO PNEUMATIC

T8 / T10 / T25
HYDRAULIC WRENCH

ITEM	DESCRIPTION	T8			T10			T25		
		T8	T8 PART NO	QTY	T10	T10 PART NO	QTY	T25	T25 PART NO	QTY
B	Piston Kit	T8-25A	6153989685		T10-25A	6153989695		T25-25A	6153989705	
6	Rod End Connector	T8-17	6153110775	1	T10-17	6153110785	1	T25-17	6153110795	1
7	Piston	T8-25	6153110975	1	T10-25	6153110915	1	T25-25	6153110925	1
9	Piston Rod	T8-29		1	T10-29		1	T25-29		1
12	Piston Sleeve	T8-24	6153111105	1	T10-24	6153111115	1	T25-24	6153111125	1
41	Piston/Piston Sleeve O-Ring	T8-25-126		1	T10-25-128		1	T25-25-138		1
44	Piston/End Cap O-Ring	T8-25-327		1	T10-25-329		1	T25-25-233		1
47	Piston Lip Seal	NC			NC			T25-25-N		1
C	Housing / Piston Seal Kit	T8-62A	6153989865		T10-62A	6153989875		T25-62A	6153989885	
41	Piston/Piston Sleeve O-Ring	T8-25-126		1	T10-25-128		1	T25-25-138		1
43	Housing/End Cap O-Ring	T8-01-229		1	T10-01-146		1	T25-01-238		1
44	Piston/End Cap O-Ring	T8-25-327		1	T10-25-329		1	T25-25-233		1
45	End Cap/Housing O-Ring	T8-26-139		1	T10-26-143		1	T25-26-338		1
46	Lip Seal	T8-01-N		1	T10-01-N		1	T25-01-N		1
47	Piston Lip Seal	NC			NC			T25-25-N		1
D	Drive Pawl Kit	T8-63A	6153989565		T10-63A	6153989575		T25-63A	6153989585	
19	Drive Pawl	T8-63		1	T10-63		1	T25-63		1
37	Drive/Reaction Pawl Roll Pin	T8-40		1	T10-40		1	T25-40		1
53	Drive Pawl Spring	T8-27		2	T10-27		2	T25-27		2
E	Drive/Reaction Pawl Spring Kit	T8-27K	6156901345		T10-27K	6156901245		T25-27K	6156901265	
52	Reaction Pawl Spring	T8-18		1	T10-18		1	T25-18		1
53	Drive Pawl Spring	T8-27		2	T10-27		2	T25-27		2
F	Reaction Pawl Kit	T8-10A	6153989745		T10-10A	6153989755		T25-10A	6153989765	
37	Drive/Reaction Pawl Roll Pin	T8-40		2	T10-40		2	T25-40		2
52	Reaction Pawl Spring	T8-18		1	T10-18		1	T25-18		1
59	Reaction Pawl	T8-10		1	T10-10		1	T25-10		1
F1	Lever Kit	T8-15K	6153100935		T10-15K	6153100945		T25-15K	6153100955	
4	Reaction Pawl Lever	T8-15		1	T10-15		1	T25-15		1
28	Lever Screw	T8/10-39		1	T8/10-39		1	T25-39		1
G	Drive Retainer Kit	T8-11A	6153989925		T10-11A	6153989935		T25-11A	6153989945	
11	Drive Retainer Body	T8-11		1	T10-11		1	T25-11		1
13	Drive Retainer Push-Lock	T3/8-12		1	T10/25-12		1	T10/25-12		1
G1	Drive Retainer Kit	T3/8-12K	6153991605		T10/25-12K	6153991615		T25-12K	6153991615	
51	Drive Retainer Snap Ring	T3/8-12D		1	T10/25-12D		1	T10/25-12D		1
55	Drive Retainer Spring	T3/8-12C		1	T10/25-12C		1	T10/25-12C		1
58	Drive Retainer Ball Bearing	T3/8-12B		3	T10/25-12B		3	T10/25-12B		3
H	Shroud Kit	T8-31A	6153989805		T10-31A	6153989815		T25-31A	6153989825	
23	Shroud	T8-31		1	T10-31		1	T25-31		1
H1	Shroud Screw Kit	T1-32K	6153993085		T3/25-32K	6153993085		T3/25-32K	6153993085	
26	Shroud Screw	T3/25-32		12	T3/25-32		12	T3/25-32		12
I	Reaction Arm Assembly	T8-03A	6153989985		T10-03A	6153989995		T25-03A	6153990015	
22	Reaction Arm	T8-03		1	T10-03		1	T25-03		1
I1	Reaction Arm Lever Kit	T8-36A	6153990055		T10-36A	6153990065		T25-36A	6153990075	
5	Reaction Arm Lever	T5/10-28	6153100965	1	T5/10-28	6153100965	1	T25-28	6153100975	1
21	Reaction Arm Plate	T8-36		1	T10-36		1	T25-36		1
I2	Reaction Arm Lever Service Kit	T8/10-37K	6153991915		T8/10-37K	6153991915		T25-37K	6153991925	
29	Reaction Arm Screw	T5/25-37		2	T5/25-37		2	T5/25-37		2
36	Reaction Arm Lever Pin	T8/10-45		1	T8/10-45		1	T25-45		1
54	Reaction Arm Lever Spring	T5/10-38		1	T5/10-38		1	T25-38		1
I3	Reaction Arm Boot Kit	T8-43A	6153990125		T10-43A	6153990135		T25-43A	6153990145	
34	Reaction Arm Boot Pin	T8-44		2	T10-44		2	T25-44		2
48	Reaction Arm Boot	T8-43		1	T10-43		1	T25-43		1
J	Swivel Kit	T3/25-75A	6153990165		T3/25-75A	6153990165		T3/25-75A	6153990165	
J1	Bottom Swivel Kit	T3/25-70A	6153990205		T3/25-70A	6153990205		T3/25-70A	6153990205	
15	Swivel Post	T3/25-70		1	T3/25-70		1	T3/25-70		1
27	Swivel Post Screw	T3/25-75		4	T3/25-75		4	T3/25-75		4
35	Swivel Dowel Pin	T3/25-81		1	T3/25-81		1	T3/25-81		1
38	Swivel Post/Housing Small O-Ring	T3/25-70-010		2	T3/25-70-010		2	T3/25-70-010		2
40	Swivel Post/Housing Large O-Ring	T3/25-70-120		1	T3/25-70-120		1	T3/25-70-120		1
42	Swivel Housing/Post O-Ring	T3/25-70-210		3	T3/25-70-210		3	T3/25-70-210		3
J2	Top Swivel Kit	T3/25-71A	6153990185		T3/25-71A	6153990185		T3/25-71A	6153990185	
16	Swivel Body	T3/25-71		1	T3/25-71		1	T3/25-71		1
17	Actuate Manifold	T3/25-72	6156655360	1	T3/25-72	6156655360	1	T3/25-72	6156655360	1
18	Retract Manifold	T3/25-73	6156655370	1	T3/25-73	6156655370	1	T3/25-73	6156655370	1
25	Swivel Manifold Screw	T1/50-76		1	T1/50-76		1	T1/50-76		1
30	Hex Plug	T1/25-80TC		2	T1/25-80TC		2	T1/25-80TC		2
35	Swivel Dowel Pin	T3/25-81		1	T3/25-81		1	T3/25-81		1
39	Swivel Body O-Ring	T1/25-71-013		4	T1/25-71-013		4	T1/25-71-013		4
49	Swivel Snap Ring	T3/25-74	6156870955	1	T3/25-74	6156870955	1	T3/25-74	6156870955	1
56	Actuate Manifold Qd	090155N	6157040355	1	090155N	6157040355	1	090155N	6157040355	1
57	Retract Manifold Qd	090156	6157040375	1	090156	6157040375	1	090156	6157040375	1
K	Swivel Seal Kit	T3/25-00	6153990225		T3/25-00	6153990225		T3/25-00	6153990225	
38	Swivel Post/Housing Small O-Ring	T3/25-70-010		2	T3/25-70-010		2	T3/25-70-010		2
39	Swivel Body O-Ring	T1/25-71-013		4	T1/25-71-013		4	T1/25-71-013		4
40	Swivel Post/Housing Large O-Ring	T3/25-70-120		1	T3/25-70-120		1	T3/25-70-120		1
42	Swivel Housing/Post O-Ring	T3/25-70-210		3	T3/25-70-210		3	T3/25-70-210		3
49	Swivel Snap Ring	T3/25-74	6156870955	1	T3/25-74	6156870955	1	T3/25-74	6156870955	1
L	Small Part Kit	T8-13A	6153990265		T10-13A	6153990275		T25-13A	6153990285	
25	Swivel Manifold Screw	T1/50-76		1	T1/50-76		1	T1/50-76		1
30	Hex Plug	T1/25-80TC		2	T1/25-80TC		2	T1/25-80TC		2
32	Housing Cap	T8-85		2	T10-85		2	T25-85		2
33	Drive Plates Roll Pin	T8-13		1	T10-13		1	T25-13		1
35	Swivel Dowel Pin	T3/25-81		2	T3/25-81		2	T3/25-81		2
49	Swivel Snap Ring	T3/25-74	6156870955	1	T3/25-74	6156870955	1	T3/25-74	6156870955	1
51	Drive Retainer Snap Ring	T3/8-12D		1	T10/25-12D		1	T10/25-12D		1
58	Drive Retainer Ball Bearing	T3/8-12B		3	T10/25-12B		3	T10/25-12B		3
M	MK Kit	MK-T8	6153992475		MK-T10	6153992485		MK-T25	6153992495	
C	Housing / Piston Seal Kit	T8-62A	6153989865		T10-62A	6153989875		T25-62A	6153989885	
E	Drive/Reaction Pawl Spring Kit	T8-27K	6156901345		T10-27K	6156901245		T25-27K	6156901265	
G	Drive Retainer Kit	T8-11A	6153989925		T10-11A	6153989935		T25-11A	6153989945	
I2	Reaction Arm Lever Service Kit	T8/10-37K	6153991915		T8/10-37K	6153991915		T25-37K	6153991925	
K	Swivel Seal Kit	T3/25-00	6153990225		T3/25-00	6153990225		T3/25-00	6153990225	
5	Reaction Arm Lever	T5/10-28	6153100965	1	T5/10-28	6153100965	1	T25-28	6153100975	1
26	Shroud Screw	T3/25-32		4	T3/25-32		4	T3/25-32		4
33	Drive Plates Roll Pin	T8-13		1	T10-13		1	T25-13		1
37	Drive/Reaction Pawl Roll Pin	T8-40		1	T10-40	6156351005	1	T25-40		1
56	Actuate Manifold Qd	090155N	6157040355	1	090155N	6157040355	1	090155N	6157040355	1
57	Retract Manifold Qd	090156	6157040375	1	090156	6157040375	1	090156	6157040375	1